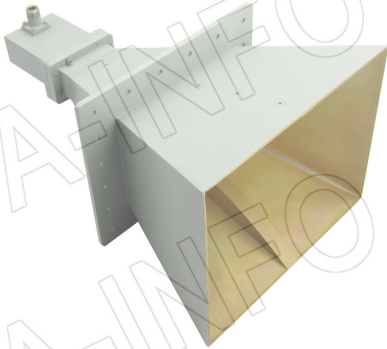


For reference only. See data sheet for the detailed specifications.

Technical Specification

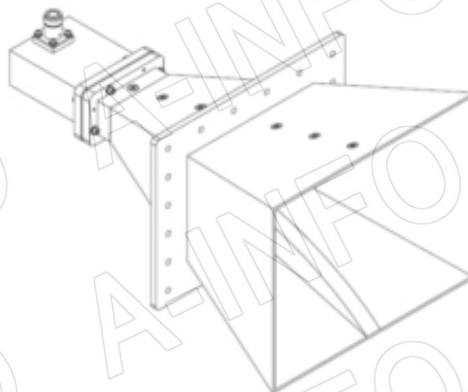
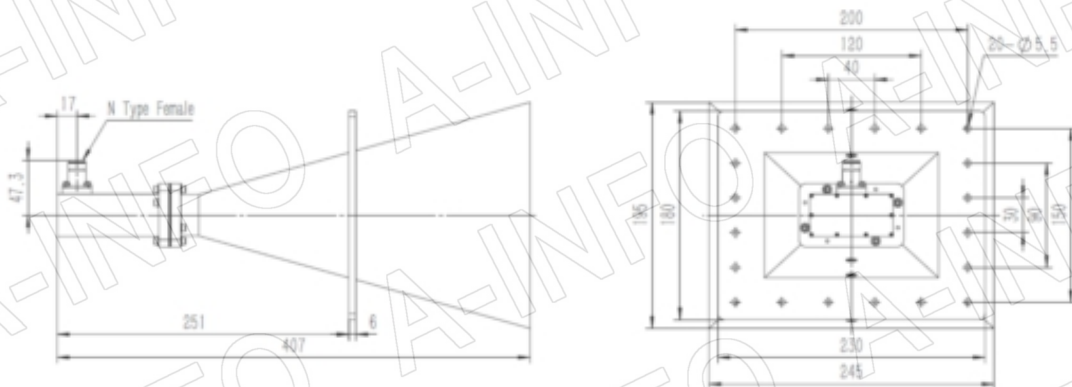


Frequency Range(GHz)	2.0 - 6.0
Gain(dBi)	15 Typ.
Polarization	Linear
3dB Beamwidth(deg)	E Plane: 37 - 20
	H Plane: 40 - 17
Cross Pol. Isolation(dB)	25 Typ.
VSWR	1.3:1 Typ.
	2.0:1 Max.
Connector	N-Female or SMA-Female
Power Handling(W CW)	N-Female: 500 Max.
	SMA-Female: 50 Max.
Material	Al
Finish	Chemical Conversion Coating, Gray Paint
Size(mm)	245 x 195 x 407
Net Weight(Kg)	2.6 Around

Outline Drawing (Size: mm)

N-Female Output (P/N: LB-2060-H-NF)

For SMA-Female output outline drawing, please contact A-INFO.



AINFO Inc.

China(Beijing): Tel: (+86) 10-6266-7326,
China(Chengdu): Tel: (+86) 28-8519-2786,
USA : Tel: (+1) 949-639-9688,

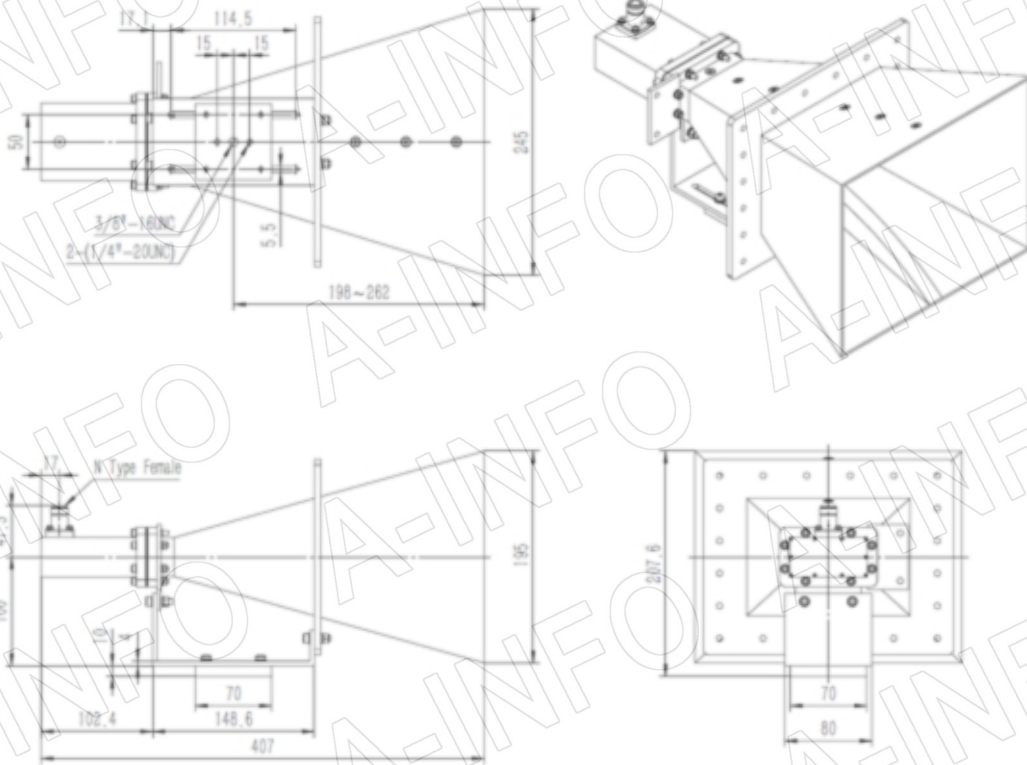
Page 1 of 8

(+86) 10-6266-7327 Fax: (+86) 10-6266-7379
(+86) 28-8519-3044 Fax: (+86) 28-8519-3068
(+1) 949-639-9608 Fax: (+1) 949-639-9670

Website: www.ainfoinc.com
Email: sales@ainfoinc.com

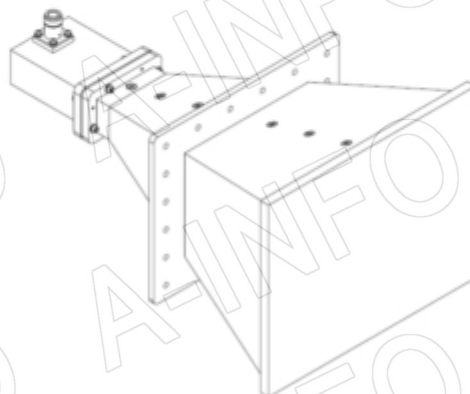
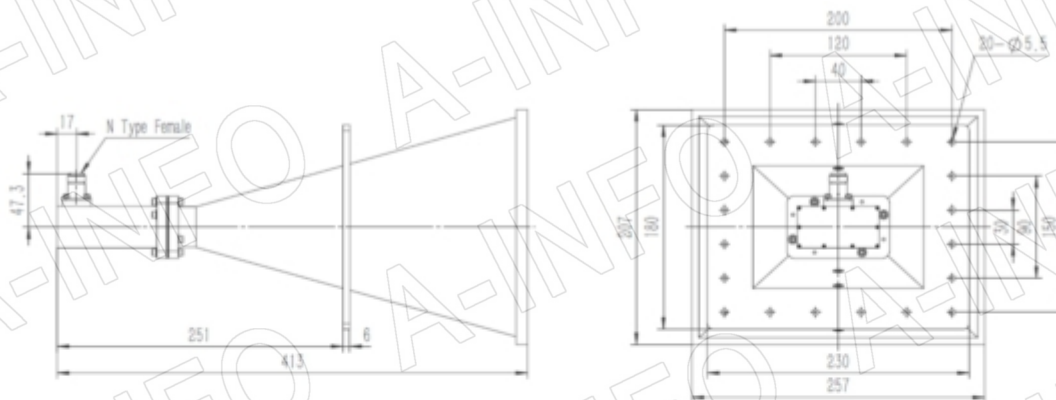
N-Female Output with L Type Mounting Bracket (Option, P/N: LB-2048-15-C-L)

For SMA-Female output outline drawing, please contact A-INFO.



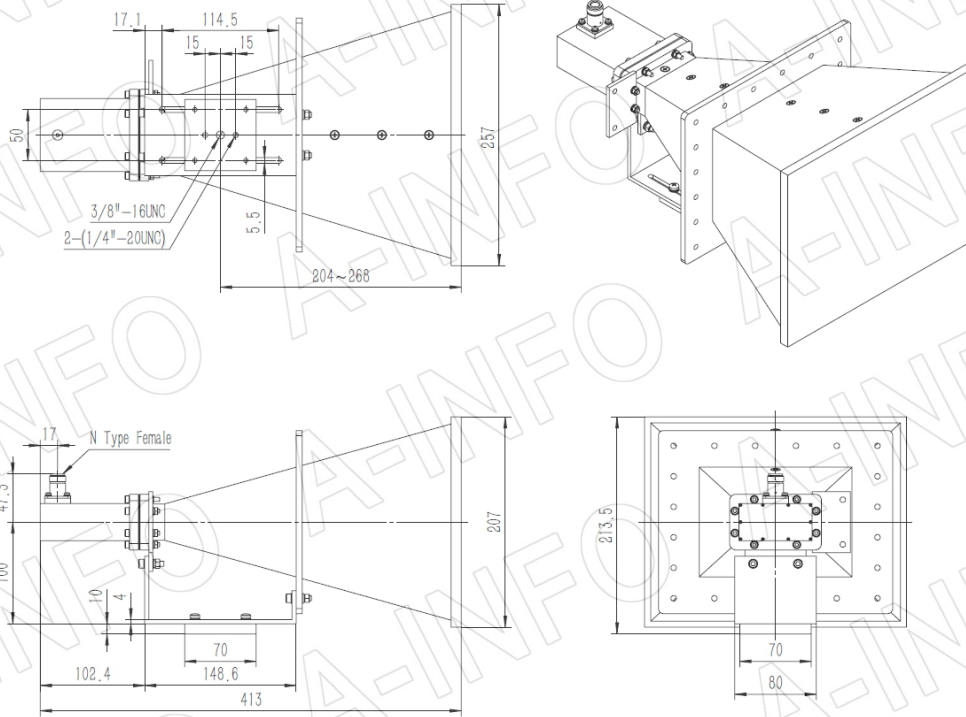
N-Female Output with Radome (Option, P/N: LB-2060-H-NFSP0, Outdoor Application)

For SMA-Female output outline drawing, please contact A-INFO.



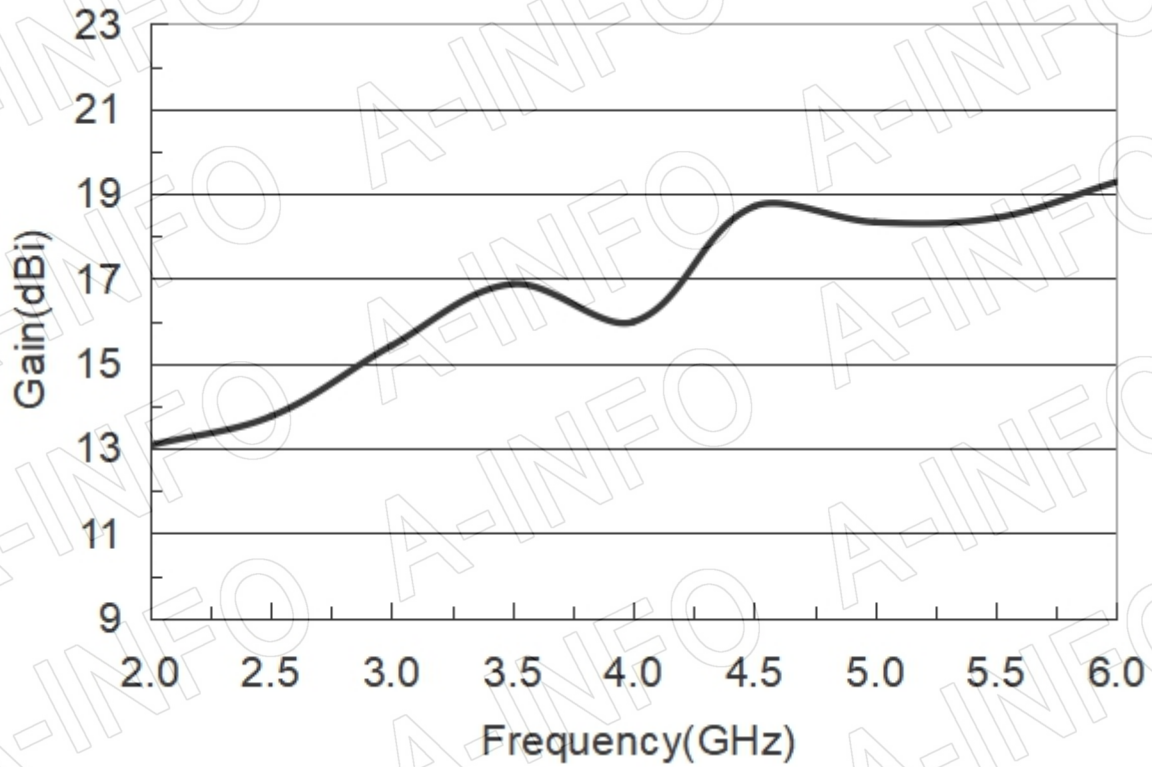
N-Female Output with L Type Mounting Bracket & Radome (Option, P/N: LB-2048-15-C-L & LB-2060-H-NFSP0, Outdoor Application)

For SMA-Female output outline drawing, please contact A-INFO.

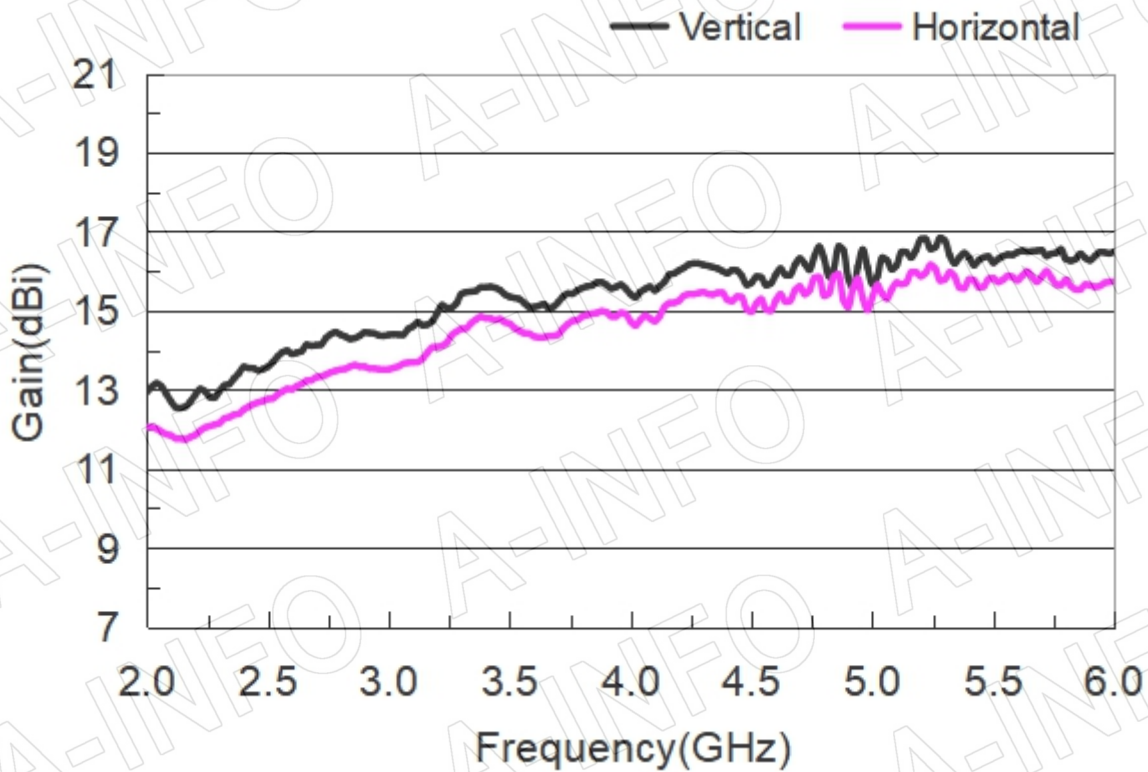


Test Results

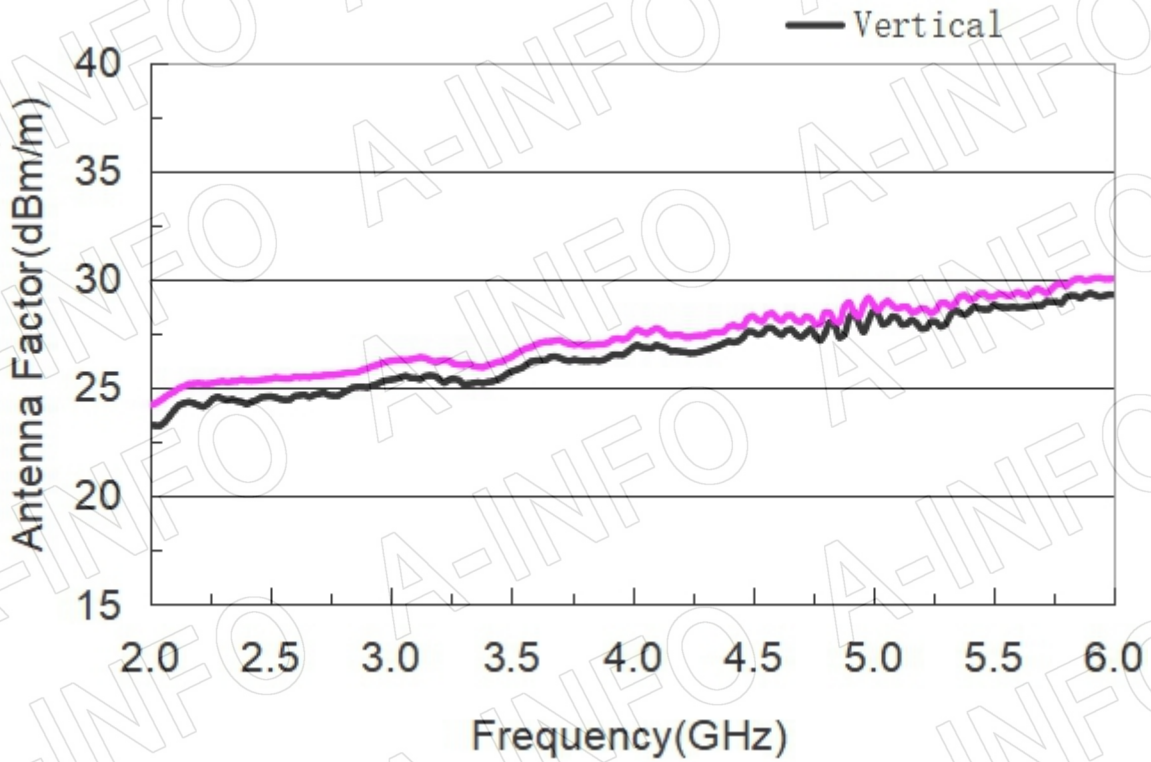
1. Gain



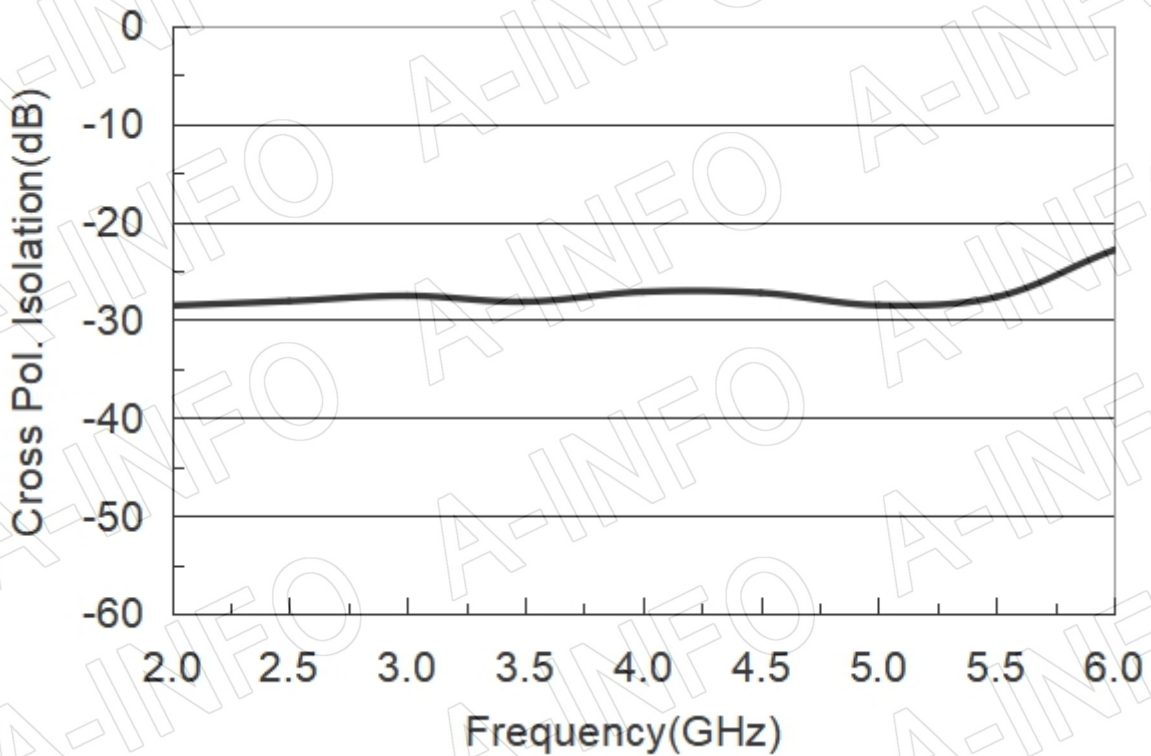
2. Gain @ 1m distance



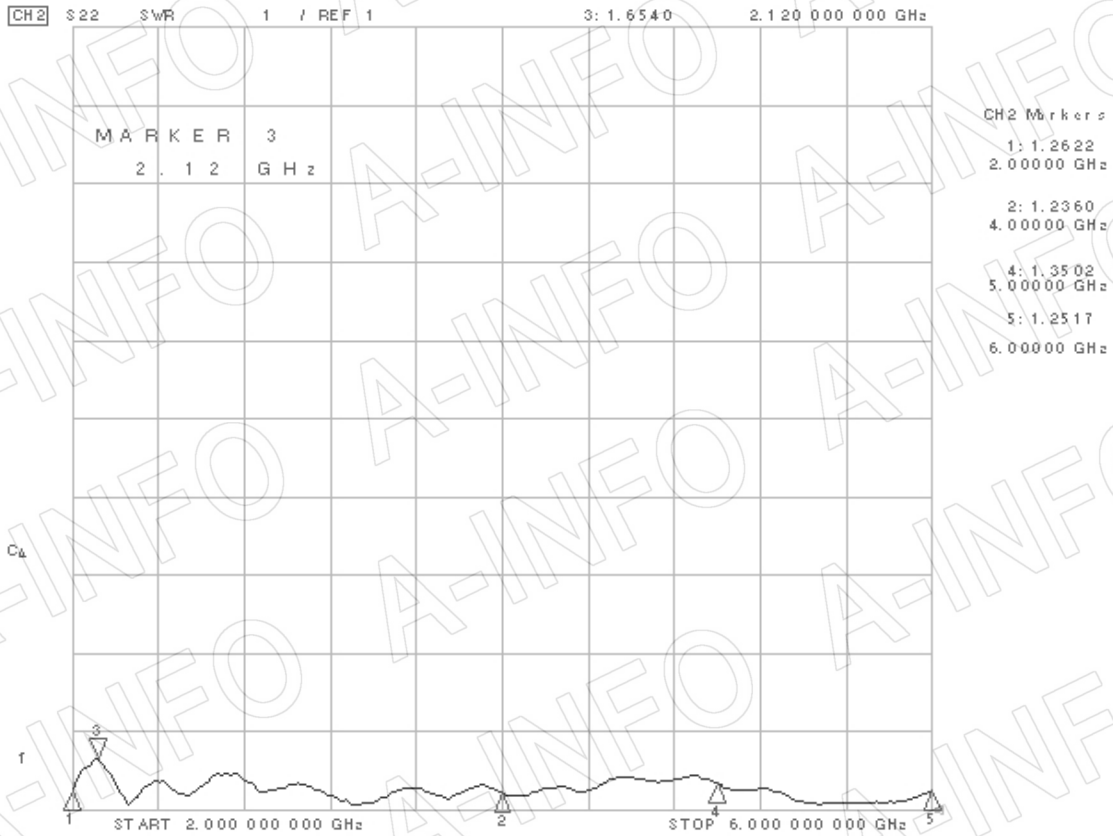
3. Antenna Factor @ 1m distance



4. Cross Polarization Isolation



5. VSWR



AINFO Inc.

China(Beijing): Tel: (+86) 10-6266-7326,
China(Chengdu): Tel: (+86) 28-8519-2786,
USA: Tel: (+1) 949-639-9688,

Page 6 of 8

(+86) 10-6266-7327 Fax: (+86) 10-6266-7379
(+86) 28-8519-3044 Fax: (+86) 28-8519-3068
(+1) 949-639-9608 Fax: (+1) 949-639-9670

Website: www.ainfoinc.com
Email: sales@ainfoinc.com

6. Pattern

